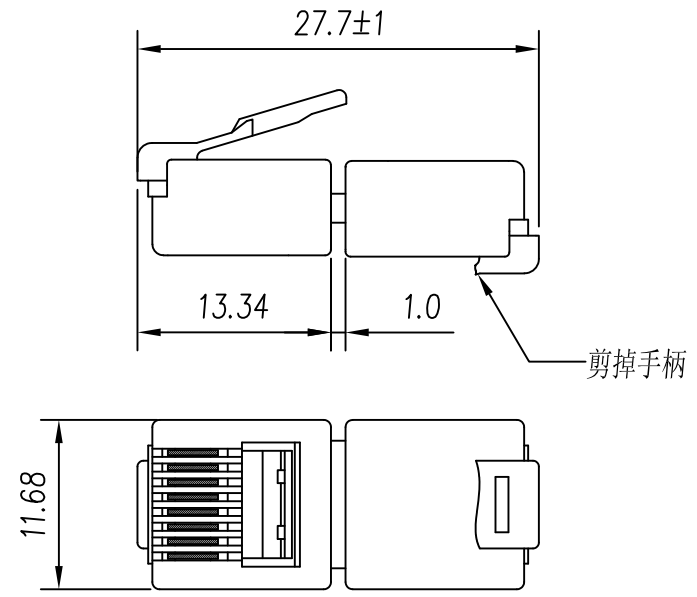


REV.	ECN NO OR DESCRIPTION	REVISED	DATE
AO	INITIAL RELEASE	KEN	24.05.27



CONTACT		
P1	COLOR	P2
1	GRAY	1
2	ORANGE	2
3	BLACK	3
4	RED	4
5	GREEN	5
6	YELLOW	6
7	BLUE	7
8	BROWN	8

SPECIFICATION

MATERIAL:

1. Modular Plug: 8P8C Short L=13.34
2. Cable: UL 20251 26AWG*8F OD:2.5*8.8MM PVC GRAY

ELECTRICAL:

1. Open, Short, Miswire 100% test;
2. Insulation resistance: 10MΩ min/DC 500V;
3. Contact resistance: 5Ω max;

ENVIRONMENTAL:

1. Operation temperature: -10℃~+60℃;
2. Storage temperature: -10℃~+40℃
relative humidity <80%.

UNLESS OTHERWISE SPECIFIED TOLERANCES		Coorle Technology	
DECIMALS:	ANGLES:	TITLE	PLUG RJ45 8P8C TO RJ45 8P8C L=27.7
X :±0.20	X :±3°	DWN	Michael 24.05.27 PART-NO:
X.X :±0.10	X.X :±1°	CHKD	UNIT: mm
X.XX :±0.05		APVD	SHEET:1 OF 1 SCALE:1/1
ENGINEERING COPY			